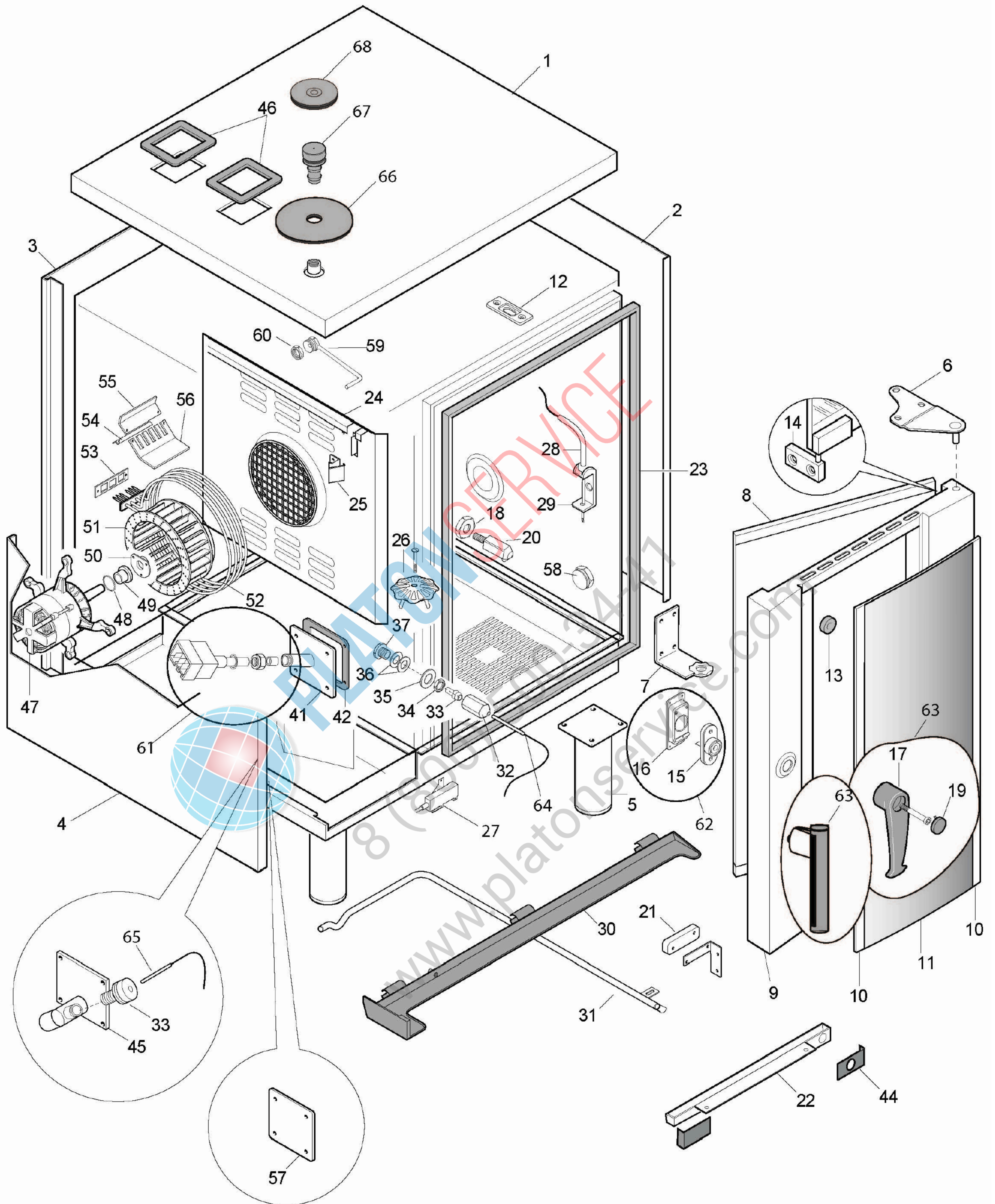
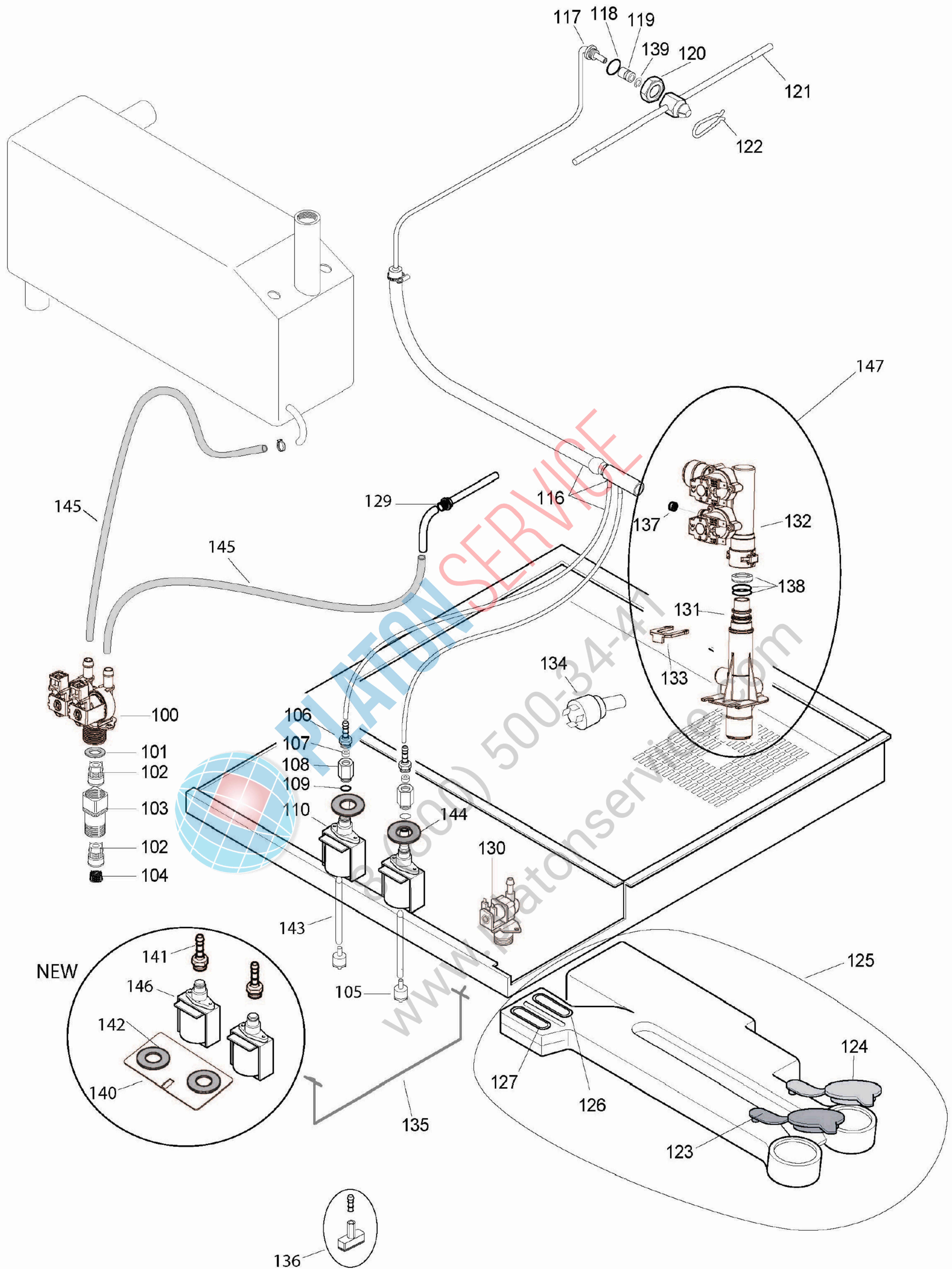


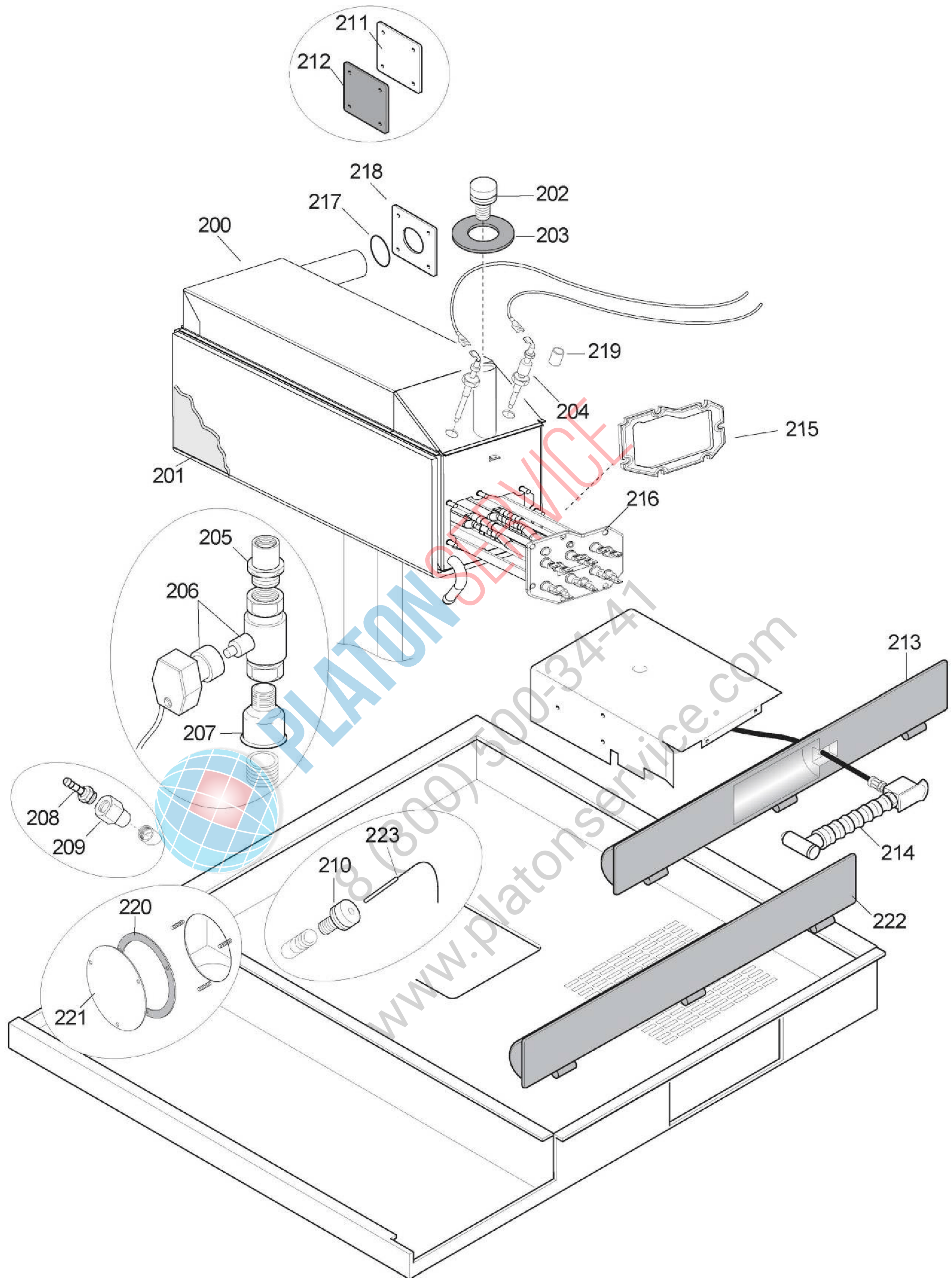
PNC	Model	Ref	Group	Level	Page	Notes
237200	FCZ061ETA2	a	FCZ	Touch	2...11	400V 3N 50hz
237210	FCZ061ETH2	b	FCZ	Touch	2...11	400V 3N 50Hz P80
237220	FCZ061ETN2	c	FCZ	Touch	2...11	230V 3N
238200	FCZ061EBA2	d	FCZ	Level B	2...11	400V 3N 50hz
238210	FCZ061EBH2	e	FCZ	Level B	2...11	400V 3N 50Hz P80
238220	FCZ061EBN2	f	FCZ	Level B	2...11	230V 3N
238230	FCZ061EBC2	g	FCZ	Level B	2...11	200V 3 60Hz Japan
239200	FCZ061ECA2	h	FCZ	Level C	2...11	400V 3N 50hz
239210	FCZ061ECH2	m	FCZ	Level C	2...11	400V 3N 50Hz P80 model
239220	FCZ061ECN2	n	FCZ	Level C	2...11	230V 3N
267200	AOS061ETA1	o	AOS	Touch	2...11	400V 3N 50hz
267210	AOS061ETH1	p	AOS	Touch	2...11	400V 3N 50Hz P80 model
267220	AOS061ETN1	q	AOS	Touch	2...11	230V 3N
267230	AOS061ETC1	r	AOS	Touch	2...11	200V 3 60Hz Japan
267240	AOS061ETE1	s	AOS	Touch	2...11	440V 3 Marine
267250	AOS061ETF1	t	AOS	Touch	2...11	400V 3 Marine
267280	AOS061ETM1	u	AOS	Touch	2...11	208V 3 USA
267290	AOS061ETB1	v	AOS	Touch	2...11	240V 3 USA
267320	AOS061ETV1	w	AOS	Touch	2...11	480V 3 USA
267300	AOS061ETK1	z	AOS	Touch	2...11	400V 3N UK version
268200	AOS061EBA2	B	AOS	Level B	2...11	400V 3N 50hz
268210	AOS061EBH2	C	AOS	Level B	2...11	400V 3N 50Hz P80 model
268220	AOS061EBN2	D	AOS	Level B	2...11	230V 3N
268230	AOS061EBC2	E	AOS	Level B	2...11	200V 3 60Hz Japan
268240	AOS061EBE2	F	AOS	Level B	2...11	440V 3 Marine
268250	AOS061EBF2	G	AOS	Level B	2...11	400V 3 Marine
268300	AOS061EBK2	H	AOS	Level B	2...11	400V 3N UK version
269200	AOS061ECA2	L	AOS	Level C	2...11	400V 3N 50hz
269210	AOS061ECH2	M	AOS	Level C	2...11	400V 3N 50Hz P80 model
269220	AOS061ECN2	N	AOS	Level C	2...11	230V 3N
269300	AOS061ECK2	O	AOS	Level C	2...11	400V 3N UK version
269330	AOS061ECY2	P	AOS	Level C	2...11	400V 3N Bakery
269280	AOS061ECM1	Q	AOS	Level C	2...11	208V 3 USA
266200	AOS061EKA1	R	AOS	Level K	2...11	400V 3N 50Hz
266220	AOS061EKN1	S	AOS	Level K	2...11	230V 3N
266280	AOS061EKM1	T	AOS	Level K	2...11	208V 3 USA

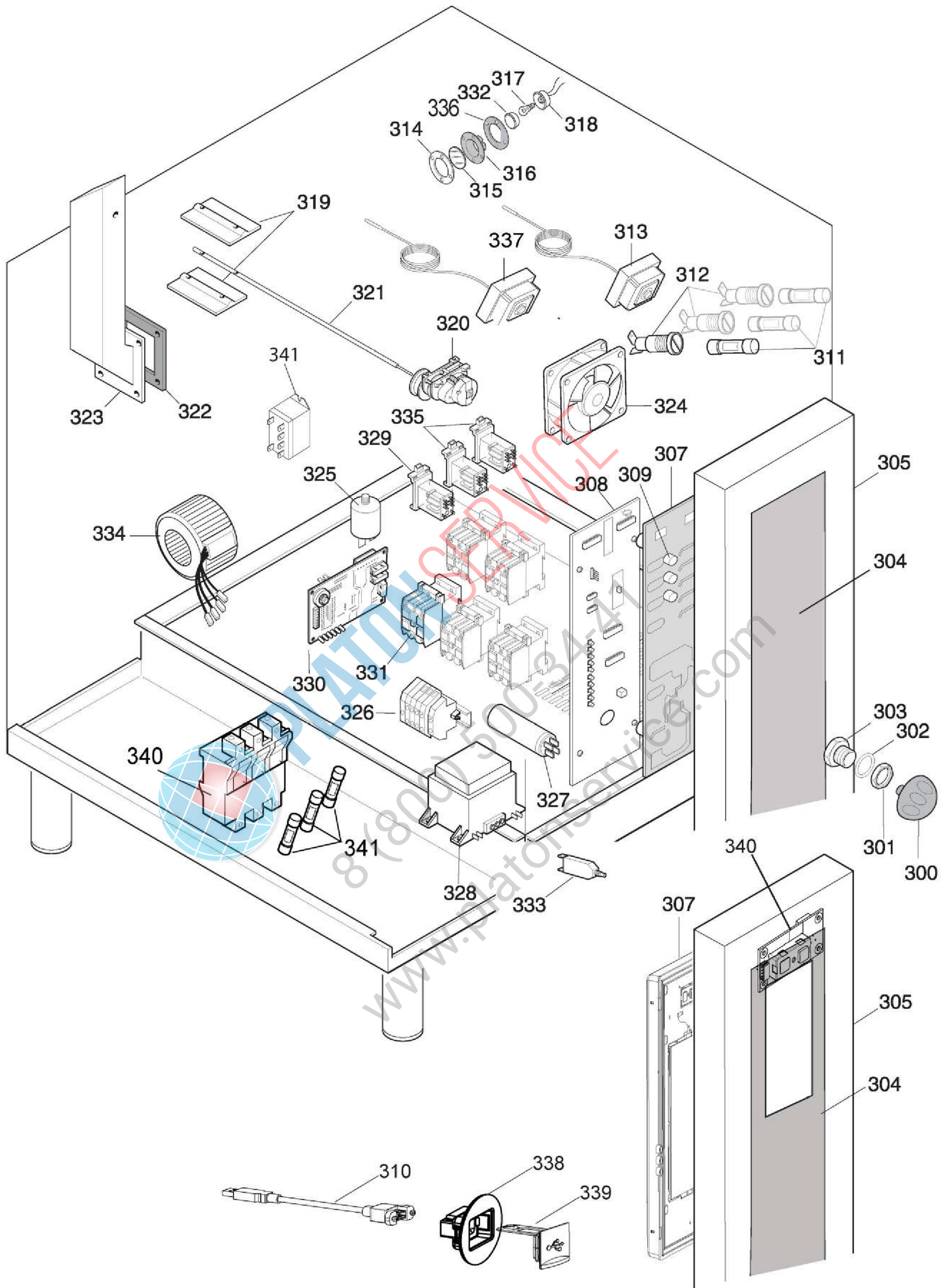
Pag	Index	Indice	Note
2	Oven cabinet and door.	Cella forno e porta	
3	Water system	Impianto idraulico	
4	Boiler	Boiler	
5	Electrical components	Componenti elettrici	
6	Accessories	Accessori	
7...10	Spare parts list	Lista ricambi	

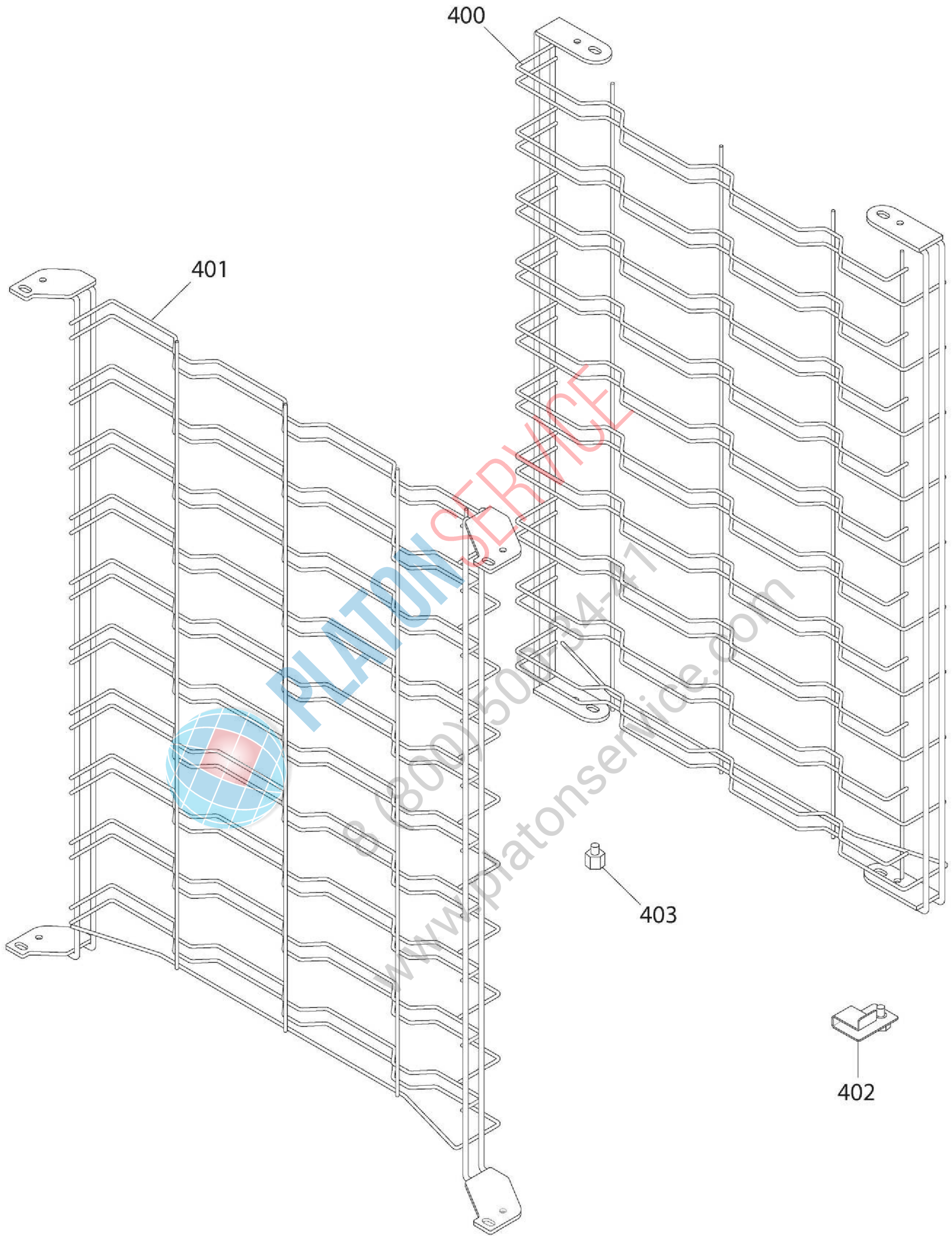
Brand/Marchio: All
 Factory code: 9PDD











CATALOGO RICAMBI PER DOCGETTA**0C4248**

SPARE PART LIST FOR**0C4248****SPRAY HOSE REEL**

PLATON SERVICE
8 (800) 500-34-41
www.platonservice.com

